

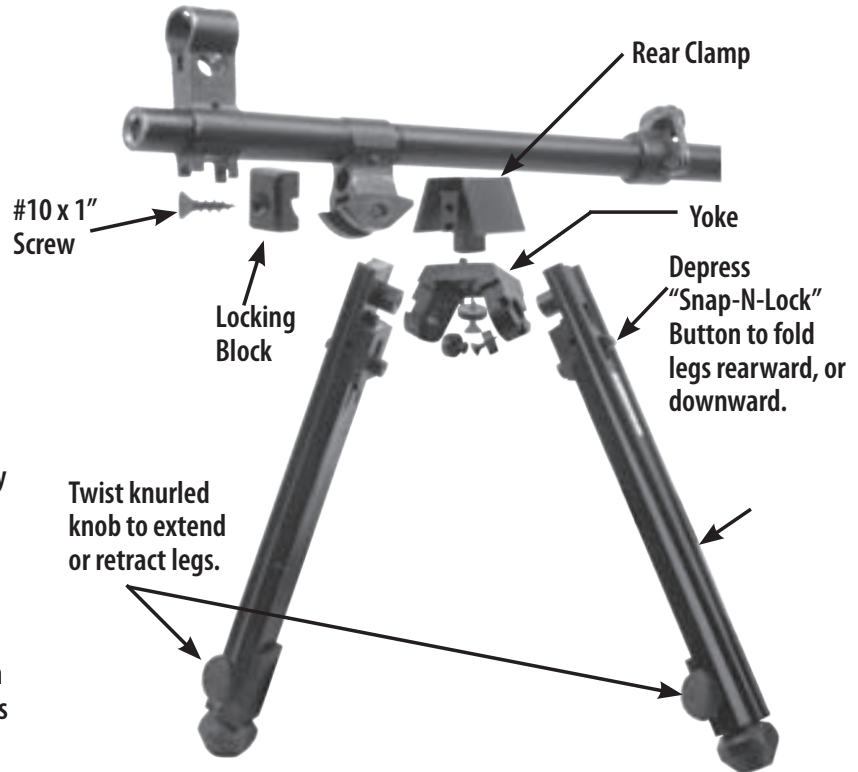
**MAKE SURE YOUR FIREARM IS UNLOADED BEFORE STARTING!**

## INSTALLATION INSTRUCTIONS

1. Remove bayonet from bayonet lug
2. Place rear clamp onto yoke with pins on yoke aligning with slots on bottom of rear clamp.
3. Use thin washer with #10 x 3/4" screw to attach rear clamp to yoke as shown (center screw).
4. Press legs thru holes in yoke and use thick washer with #10 x 3/4" screws to attach legs.
5. Install bipod to barrel by sliding center post on rear clamp thru center opening of bayonet lug.
6. Clamp bipod to bayonet lug by placing the locking block (oriented as shown) over front of lug and use #10 x 1" screw to attach to rear clamp.
7. Your Advanced Technology, Inc. Bipod is now in place and ready to use.
8. To adjust legs rearward, or downward simply depress the "Snap-N-Lock" button and rotate leg to desired location. Then release the button.
9. To adjust height (inner leg) twist knurled thumbscrew 1/4 turn and legs will freely drop. Retighten thumbscrew. To retract legs simply invert the rifle and repeat process.

**Note: Bipod does NOT swivel.**

## SKS FEATHERWEIGHT BIPOD ASSEMBLY:



### Other SKS/AK Products:



**SKS Fixed/Folding Ultralight Stocks**  
#SKS0200\*



**SKS Monte Carlo Stock**  
#SKS0300\*



**SKS Fiberforce Stock**  
#SKS3000



**AK Fiberforce Stock**  
#MAK0100

\*Camouflage Also Available



**7.62 x 39 Stripper Clips**  
#SKS1000



**SKS or AK Sling**  
#SKS0400



**SKS Buttpad**  
#SKS0500  
Fits all ATI Ultralight Rifle & Shotgun Stocks



**Fiberforce Buttpad**  
#SKS0550  
Fits all Fiberforce Stocks



**SKS Value Package**  
#SKS7000



**SKS Manual**  
#SKS0700

