

MAKE SURE YOUR FIREARM IS UNLOADED BEFORE STARTING! INSPECT EXISTING SLING SWIVEL STUD FOR TIGHTNESS!



Assemble Universal Bipod:

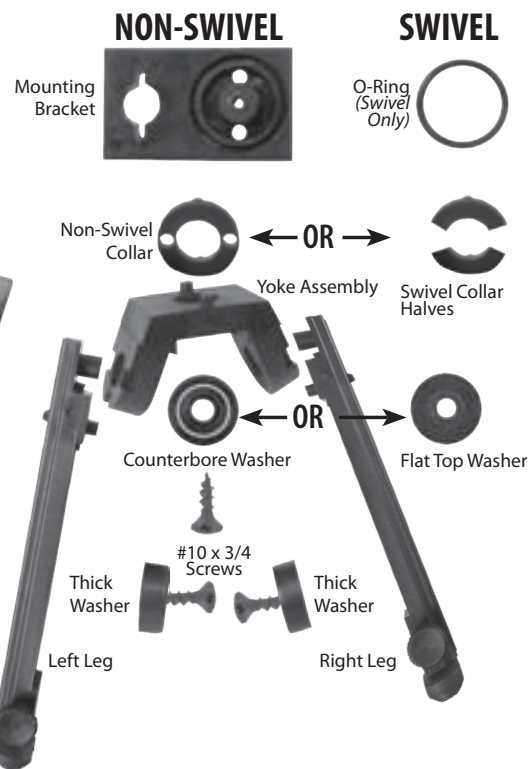
1. After deciding to build non-swivel or swivel bipod, position mounting bracket as shown in picture at right, install either the non-swivel collar or the swivel collar in the assembly.
2. Install non-swivel collar or swivel collar halves onto top side of mounting bracket with pins aligning with holes in mounting bracket.
3. If swivel collar halves were used, place o-ring into groove on top side of mounting bracket.
4. Install yoke assembly over post on mounting bracket and align (2) pins on bottom of yoke with holes in non-swivel collar or in open area between swivel collar halves.
5. Install washer over the post and secure with the pink pre-coated #10 x 3/4 screw using a Phillips screw driver. NOTE: Non-swivel Bipod will use the washer with the counterbore top and Swivel Bipod will use the washer with the flat top.
6. Install legs by inserting post on leg into hole on yoke. Position legs as shown in picture.
7. Secure legs to yoke with thick washers and #10 x 3/4 screws using Phillips screw driver.

Installing Bipod to Rifle:

For AR-15 Start at step #1 and Fig. 1; All Others Start at step # 3 and Fig. 2:

1. Remove lower handguard.
2. Insert the round threaded adapter through hole in lower handguard, align and install 5/16" sling swivel stud (See fig. 1).
3. Start #10-32 x 1/4 Allen Screw into top of the mounting column with supplied Allen wrench.
4. Place the mounting column over the front sling swivel stud. Align the through holes; then install and center the retaining pin. Tighten the Allen Screw. Install new 1/2" threaded sling swivel stud and tighten.
5. Remove backing from Neoprene Pad. Align and affix to bipod mounting bracket.
6. Align and install Bipod over the mounting column with legs parallel to the barrel and pointing toward muzzle. (Depress "Snap-N-Lock" button and rotate legs 180°.)
7. Place nylon washer over mounting column. Install mounting nut onto column and hand tighten plus 1/4 turn maximum. Failure to follow this procedure could result in damage to stock. DO NOT OVERTIGHTEN!
8. Your Advanced Technology, Inc. Bipod is now in place and ready to use.
9. To adjust legs forward, down, or rearward simply depress the "Snap-n-Lock" button and rotate leg to the desired location. Then release the button.
10. To adjust height (inner leg) twist knurled thumbscrew 1/4 turn and legs will freely drop. Retighten thumbscrew to lock in position. To retract legs simply invert rifle and repeat process.

UNIVERSAL BIPOD ASSEMBLY:



INSTALLING BIPOD TO RIFLE:

