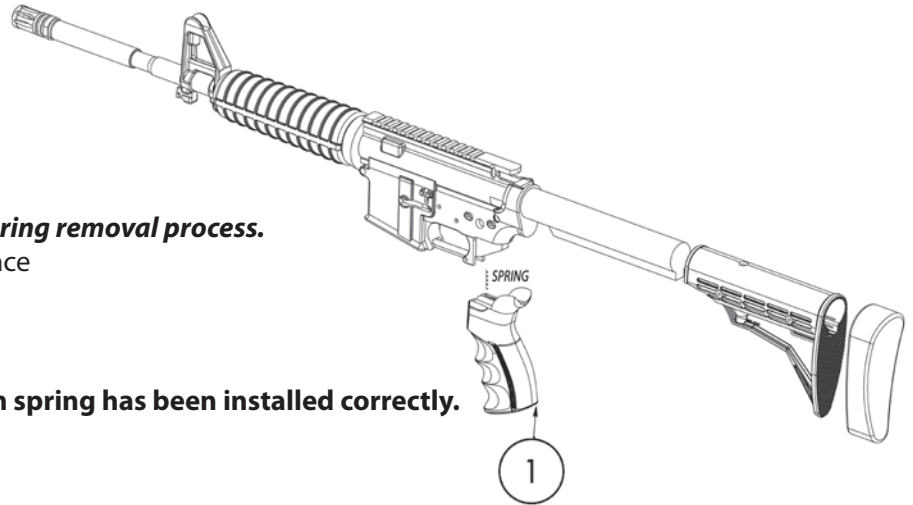


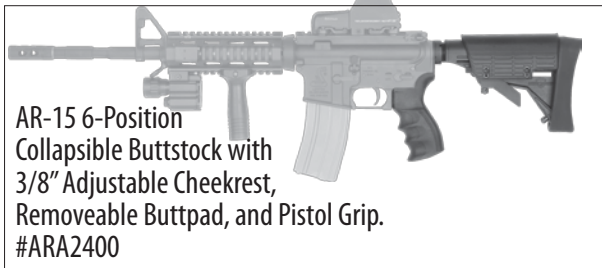
BEFORE YOU BEGIN: Make sure the rifle chamber is empty and magazine has been removed from the action.

1. Install Pistol Grip:
 - a. Remove original pistol grip by removing screw from bottom of grip.
 - CAUTION: Detent spring may fall out during removal process.**
 - b. Remove spring from original grip and place into hole on top of new grip (#1).
 - c. Install new grip using original screw.



IMPORTANT: Check safety lever switch to confirm spring has been installed correctly.

Other Advanced Technology, Inc. Products:



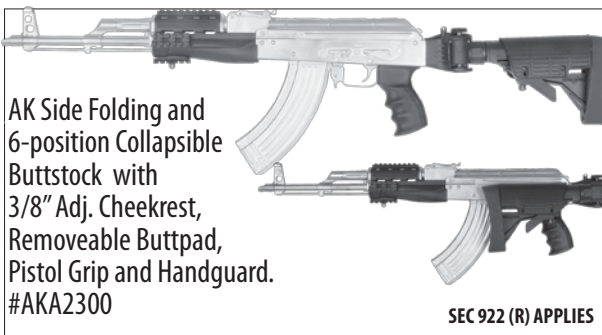
AR-15 6-Position Collapsible Buttstock with 3/8" Adjustable Cheekrest, Removeable Buttpad, and Pistol Grip. #ARA2400



AR-15 6-position Collapsible Buttstock with Buttpad and 3/8" Adjustable Cheekrest #ARA3300



3/8" Adjustable Cheekrest #MRW3700



AK Side Folding and 6-position Collapsible Buttstock with 3/8" Adj. Cheekrest, Removeable Buttpad, Pistol Grip and Handguard. #AKA2300

SEC 922 (R) APPLIES



AR-15 Pistol Grip #ARA3200



AR-15 Sling Adapter #ARA1700

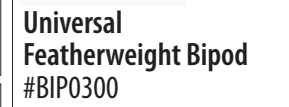


Ruger Mini-14® 6-Position Collapsible/Side-Folding Buttstock with 3/8" Adj. Cheekrest, Removeable Buttpad, Pistol Grip and Forend. #RUG2200

FOLDED POSITION



Stock Drop Spacer #MRW5400



Universal Featherweight Bipod #BIP0300



7.62 x 39 Stripper Clips #SKS1000



AR-15 Mag Covers #AR15-223

