

AK HANDGUARDS (UPPER & LOWER) INSTRUCTIONS

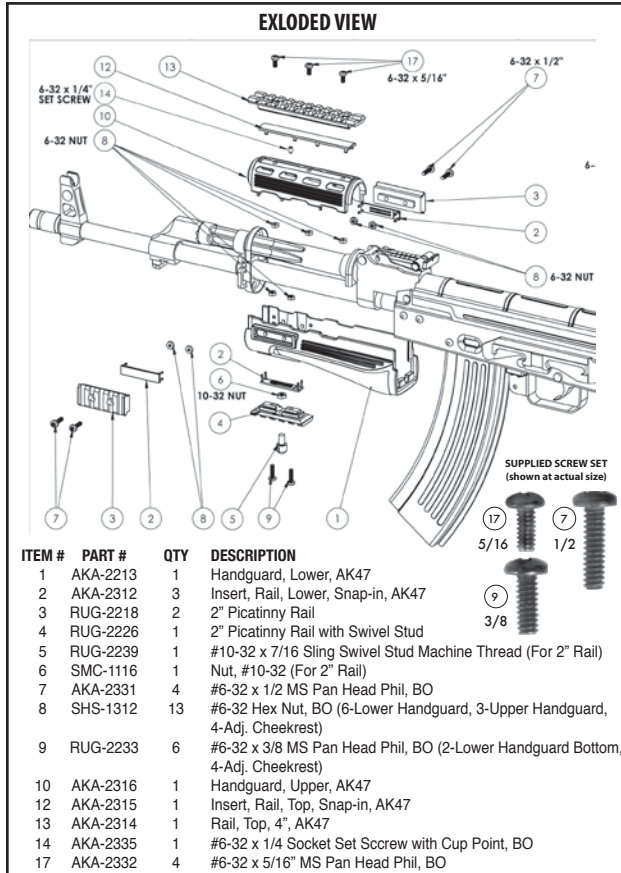
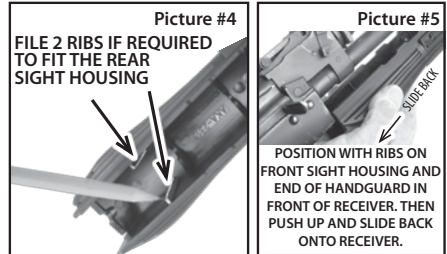
#AKA3500

BEFORE YOU BEGIN: Make sure the rifle chamber is empty and magazine has been removed from the action.

1. Remove cleaning rod, upper handguard, and lower handguard per instructions in owner's manual or visit our Web site at www.ATIgunstocks.com for more detailed instructions covering disassembly of above components.
2. See exploded view below for part description, screw size, and item number.

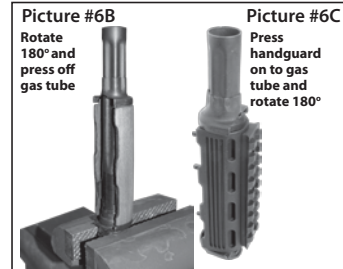
INSTALLATION OF LOWER HANDGUARD

4. **Install Lower Handguard (#1):**
 - a. Replace cleaning rod.
 - b. Install picatinny rails (#3 or #4) or rail inserts (#2) onto handguard (#1) using #6 screws (#7 and #9) and #6 nuts (#8) as shown.
 - c. If installing sling swivel stud (#5), use #10-32 nut (#6) before installing rail (#4) onto handguard.
 - d. Complete as shown in picture #4.
 - e. Complete as shown in picture #5.
 - f. Slide front mounting bracket onto front of handguard.
 - g. Position front mounting bracket until lever is locked.



INSTALLATION OF UPPER HANDGUARD

5. **Install Upper Handguard (#10):**
 - a. Install 4" rail insert (#12), snaps in, or install 4" picatinny rail (#13) using three screws (#17) and nuts (#8).
 - b. Complete as shown in picture #6B if wooden handguard not removed.
 - c. Complete as shown in picture #6C.



- d. Install gas tube into gas piston, align upper handguard (#10) with lower handguard (#1), and press the rear of the gas tube down until lever can be locked.
- e. Handguard (#10) can be locked to gas tube by removing center screw (#17) and replacing with supplied #6-32 socket set screw (#14).
(Caution: do not overtighten set screw).



www.ATIgunstocks.com

102 Fieldview Dr.
Versailles, KY 40383
859-873-9877
FAX 859-873-6229